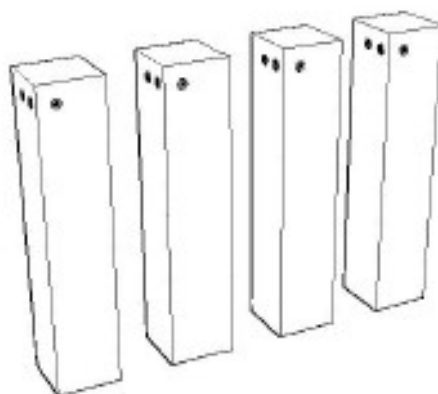
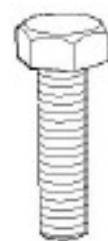


X 1



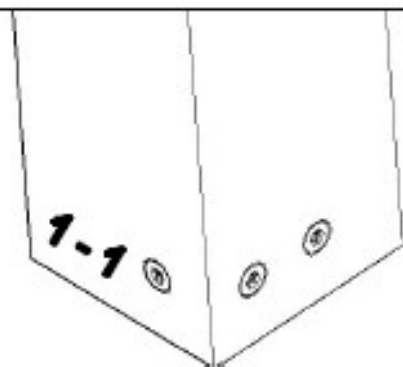
X 4



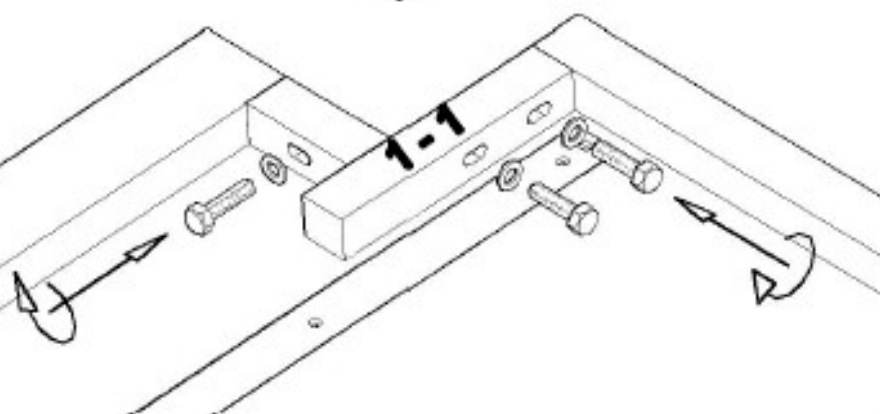
X 12



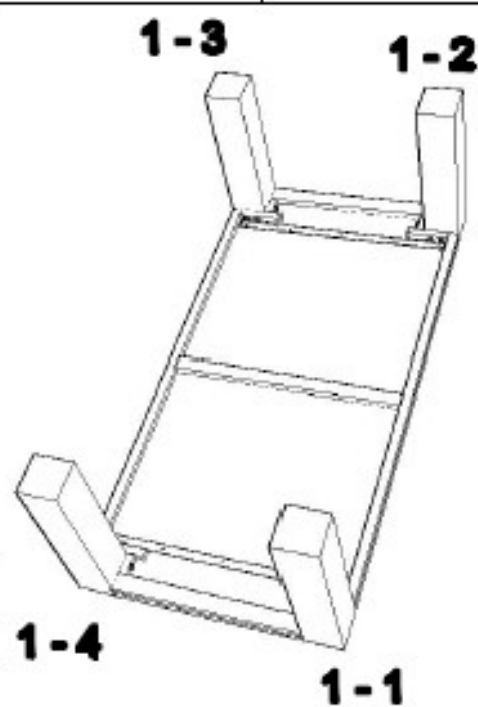
X 12



1-1



1-1



1-3

1-2

1-4

1-1

